

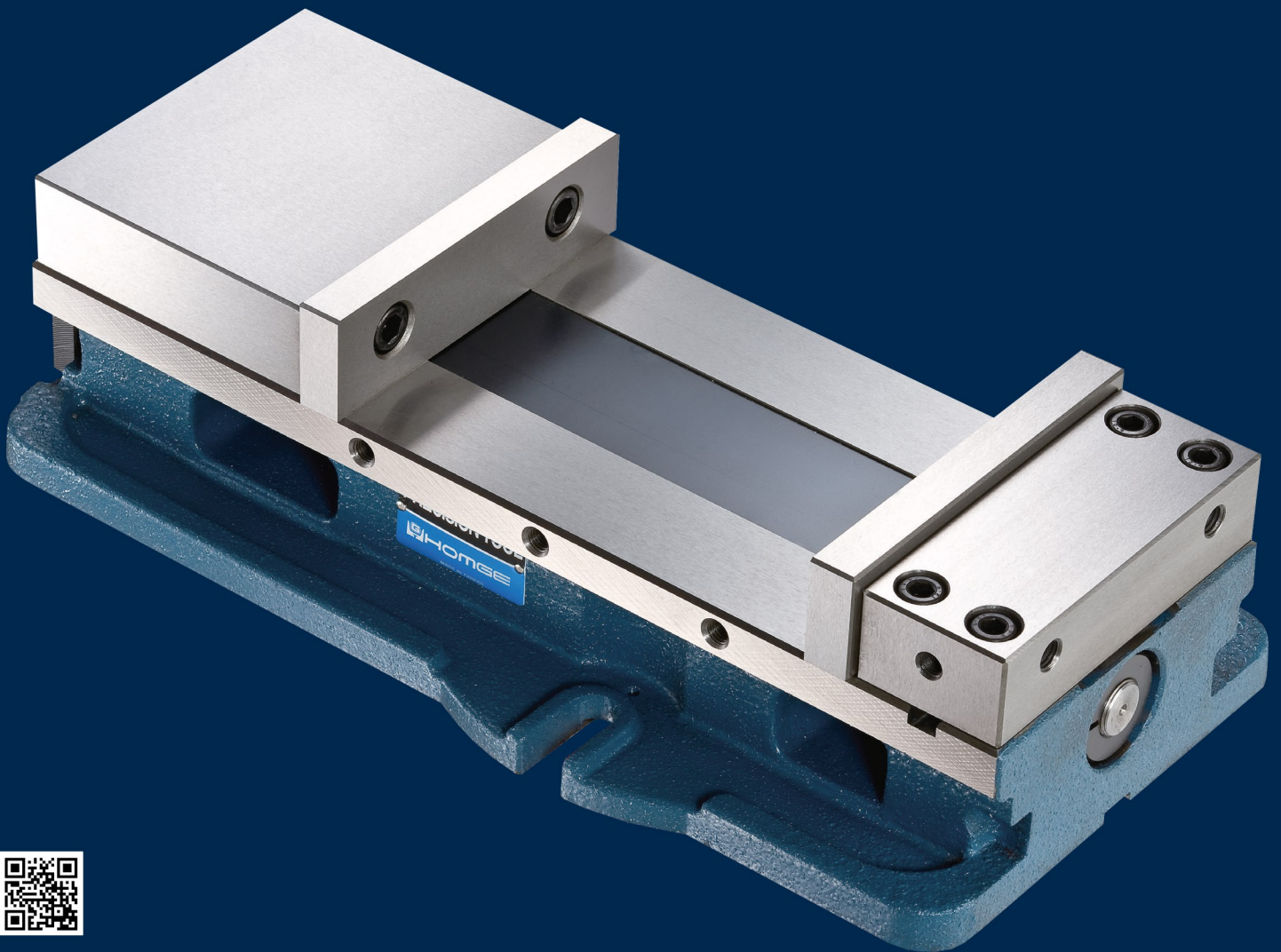
PRECISION ANGLE LOCK

DISTRIBUTED BY:



WISE

Significantly upgrade any kinds of Machining Centers



- **Super-Big Jaw Opening**
- **Two Sides of Vise Body can be used as Datum Surfaces**

Precision Angle Lock Vise

(Front-Pulling Type)

Model: TV-6" SUPER-OPEN 10"

Regular Price = \$699
Introductory Price = \$649

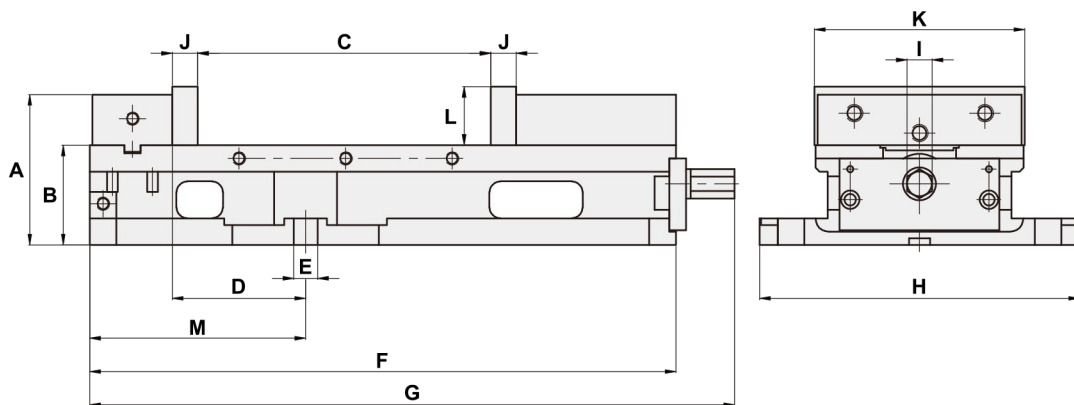
- Super-Big Jaw Opening: 10" for TV-6" and 12" for TV-8"
- Advanced clamping style by front pulling, which enhances the clamping force and its accuracy
- Constructed with wider fixed jaw by 4 bolts locked on top and lager keyway to ensure accuracy and durability
- Two sides of Vise Body can be used as datum surfaces
- Fixed height(B), fixed positioning(D), and sided datum surfaces are the advantages of this vise



OPTIONAL ACCESSORY:
Swivel Base







DIMENSIONS



SPECIFICATIONS (Material: FCD 60 ductile Iron. Hardness: HRC 50°)

Unit: mm

Model	A	B	C	D	E	F	G	H	I
TV-6" Super-Open 10"	113	77	250	100	16	455	484	240	19

Model	J	K	L	M					Weight (kg)
TV-6" Super-Open 10"	19	160	44	162	250	329	389	468	36

5500 Tomken Rd, Unit #2
Mississauga, ON L4W 2Z4
www.caliberindustrial.com
sales@caliberindustrial.com

Mississauga: 905.624.5524
Toronto: 416.626.7151
Toll Free: 1.800.465.5743
Fax: 905.602.8758

