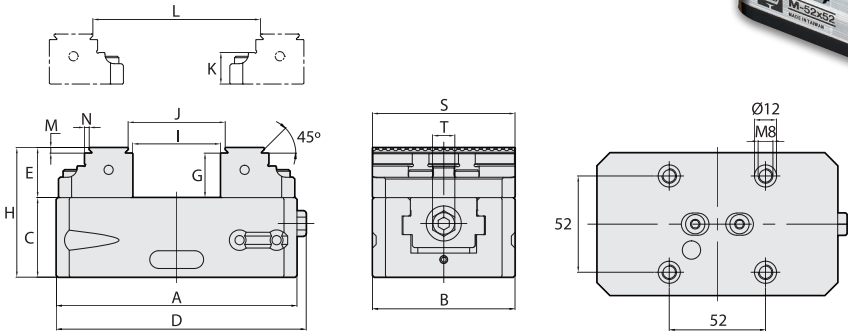
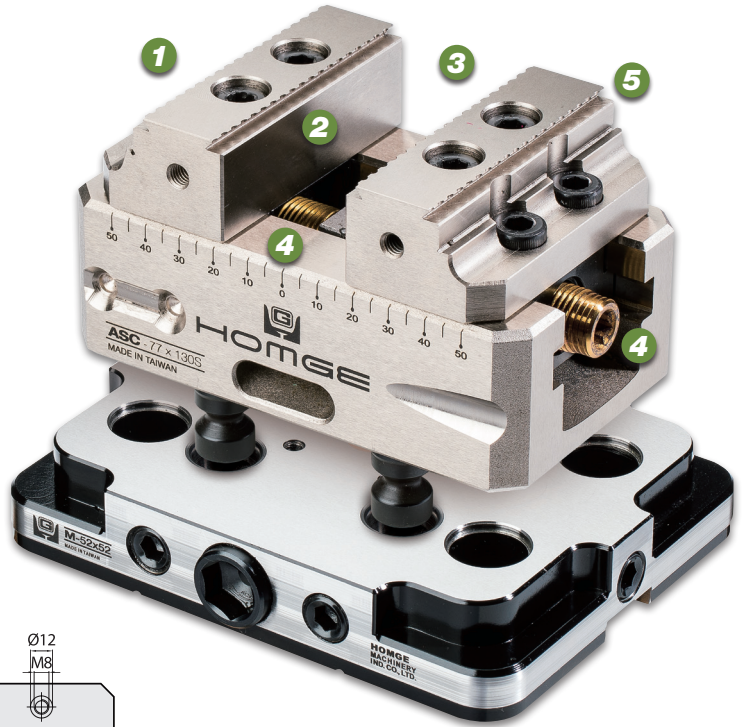


FIVE-AXIS ADJUSTABLE SELF-CENTERING VISE ASC-77x130S4

\$1,188 each

1. Vise body is made of **High quality Tool Steel**. The sideways are high frequency through hardened to 50 HRC for improved durability.
2. Detachable jaws are made of **High quality Tool Steel** carburized to **55HRC**. Since both jaws are fixed size they can be used as a datum. Users can reverse the jaws to increase the clamping range. **Four-bolt** fixation of the jaws eliminates jaw lift.
3. The vise's clamping force can achieve **1300KG**, the repeatability positioning precision of its clamping center is within **0.015mm**.
4. Users can calibrate the clamping center of vise by adjusting the screws on both ends.
5. The **45° dovetail structure with teeth** on the upper jaw ensures the bottom of the workpiece to be firmly clamped.



SPECIFICATIONS (Material: Vise body S50C: HRC50° / Detachable Jaws SCM440: HRC55°)

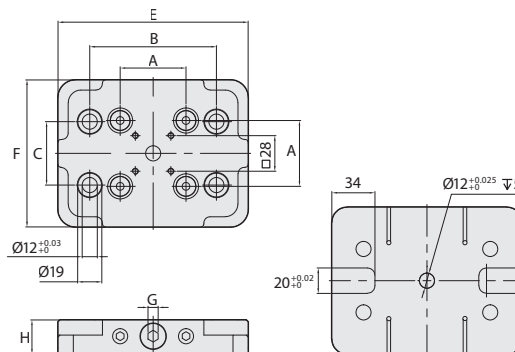
Unit: mm

Model	A	B	C	D	E	G	H	I	J	K	L	M	N	S	T	Weight (kg)
ASC-77x130S4	130	77	43	135	27	24	70	57	62	17	100	3	2.5	77	12	3.5
Model	A	B	C	D	E	F	G	H	Weight (kg)							
M-52x52	52±0.01	100±0.01	50±0.01	-	150	116	8	27±0.01	3							

MASTER PALLET

M-52x52

- Features industry standard 52mm 4pull stud clamping on a high quality steel plate.
- Has 4 holes for clamping master pallet to machine table, indexer or tombstone.



\$812 each

Pull Stud

M-52x52PS

- 4 Pieces free of charge with Master Pallet purchase

\$15 each



CALIBER INDUSTRIAL SUPPLY
5500 TOMKEN ROAD, UNIT 2
MISSISSAUGA, ONTARIO
L4W 2Z4

sales@caliberindustrial.com
www.caliberindustrial.com

TOLL FREE 1(800)465-5743
MISSISSAUGA (905)624-5524
TORONTO (416)626-7151