

DISTRIBUTED BY:



5500 Tomken Rd, Unit #2  
Mississauga, ON L4W 2Z4  
www.caliberindustrial.com  
sales@caliberindustrial.com

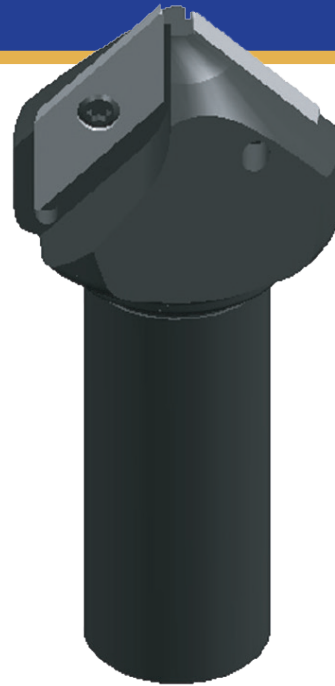
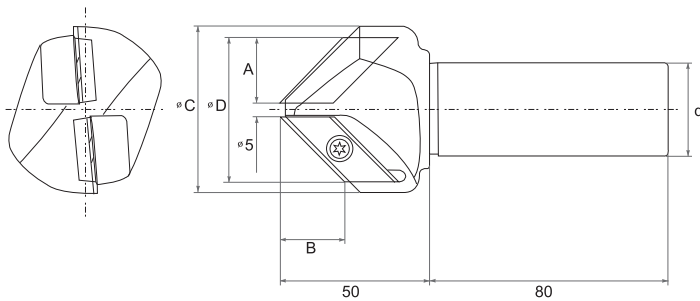
Mississauga: 905.624.5524  
Toronto: 416.626.7151  
Toll Free: 1.800.465.5743  
Fax: 905.602.8758



**\*Special Available Until Further Notice\***

## SSANGYONG CHAMFER MILL

Designed for large chamfers and Countersinking



**NEW**  
**SCW300**  
TiALN Coated

Up to  
**50%**

**LONGER**  
**TOOL LIFE**

than TiN coated  
inserts.

PART NUMBER	DIMENSIONS						NUMBER OF TEETH	PRICE
	INCL. ANGLE	A	B	ØC	ØD	d		
CSC 0503 1R-30-A	60°	0.570"	1.004"	1.574"	1.340"	1.000"	1	\$229.00
CSC 0503 1R-30-A-2F	60°	0.570"	1.004"	1.850"	1.6929"	1.000"	2	\$299.00
CSC 0503 1R-41-A	82°	0.783"	0.859"	2.200"	1.690"	1.000"	2	\$299.00
CSC 0503 1R-45-A	90°	0.826"	0.807"	2.200"	1.850"	1.000"	2	\$299.00
CSC 0503 1R-60-A	120°	1.003"	0.570"	2.830"	2.200"	1.000"	2	\$349.00

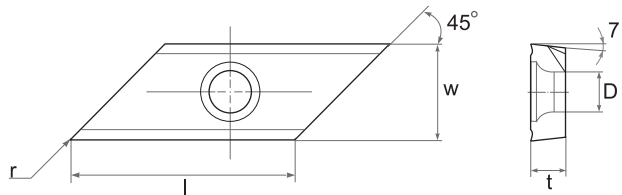
All items in stock  
at Caliber

### Inserts

**TX520** - TiN cermet for finishing applications

**SCW200** - Coated carbide grade for heavier duty applications

**SXW300** - TiALN coated carbide for higher speed applications



INSERT	DIMENSIONS					GRADE & PRICE		
	l	w	t	D	r	TX520	SCW200	SCW300
XCET 0310404-ER	0.866"	0.500"	0.177"	0.220"	0.016"	\$49.00	\$59.00	\$65.00

Spare Screws  
**SDT050**  
**\$9.29**  
each

Inserts sold in  
**PACKS**  
**OF**  
**FIVE**