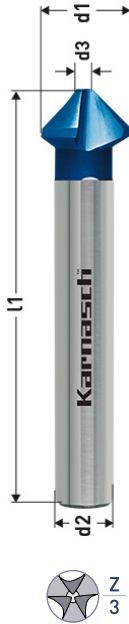
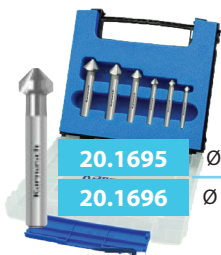


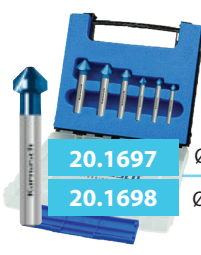
## 82° HIGH-PERFORMANCE COUNTERSINKS - 3-FLAT SHANK



d1 Ø	d3 Ø	L1 Length	d2 Shank	Art. HSS-XE	List	PROMO	Art. HSS-XE + BLUE-TEC	List	PROMO
1/4"	0,059"	1.49/64"	3/16"	20.1780.010	\$30.79	<b>\$18.47</b>	20.1785.010	\$55.13	<b>\$33.08</b>
5/16"	0,078"	1.31/32"	1/4"	20.1780.020	\$32.58	<b>\$19.55</b>	20.1785.020	\$56.74	<b>\$34.04</b>
3/8"	0,087"	1.31/32"	1/4"	20.1780.030	\$34.01	<b>\$20.41</b>	20.1785.030	\$58.35	<b>\$35.01</b>
1/2"	0,11"	2.13/64"	5/16"	20.1780.040	\$40.45	<b>\$24.27</b>	20.1785.040	\$67.48	<b>\$40.49</b>
5/8"	0,126"	2.23/64"	3/8"	20.1780.050	\$51.37	<b>\$30.82</b>	20.1785.050	\$78.40	<b>\$47.04</b>
3/4"	0,138"	2.31/64"	3/8"	20.1780.060	\$58.53	<b>\$35.12</b>	20.1785.060	\$85.56	<b>\$51.34</b>
7/8"	0,15"	2.41/64"	3/8"	20.1780.070	\$73.75	<b>\$44.25</b>	20.1785.070	\$100.78	<b>\$60.47</b>
1"	0,15"	2.41/64"	3/8"	20.1780.080	\$73.75	<b>\$44.25</b>	20.1785.080	\$103.82	<b>\$62.29</b>
1.1/4"	0,165"	2.51/64"	15/32"	20.1780.090	\$104.55	<b>\$62.73</b>	20.1785.090	\$135.34	<b>\$81.20</b>
1.1/2"	0,315"	3.5/32"	15/32"	20.1780.100	\$155.21	<b>\$93.13</b>	20.1785.100	\$233.87	<b>\$140.32</b>



List	Promo
\$268.50	<b>\$161.10</b>
\$268.50	<b>\$161.10</b>

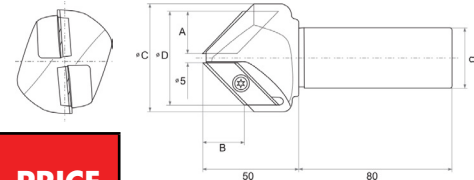


List	Promo
\$422.44	<b>\$253.46</b>
\$404.54	<b>\$242.72</b>

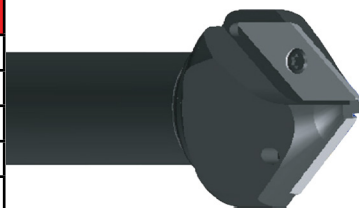


## SSANGYONG CHAMFER MILL

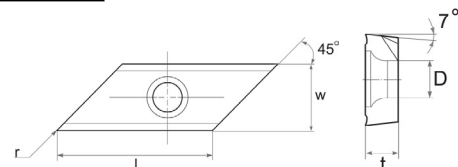
Designed for Large Chamfers and Countersinking



PART NUMBER	INCL. ANGLE	DIMENSIONS					NUMBER OF TEETH	PRICE
		A	B	ØC	ØD	d		
CSC 0503 1R-30-A	60°	0.570"	1.004"	1.574"	1.340"	1.000"	1	<b>\$229.00</b>
CSC 0503 1R-30-A-2F	60°	0.570"	1.004"	1.850"	1.6929"	1.000"	2	<b>\$299.00</b>
CSC 0503 1R-41-A	82°	0.783"	0.859"	2.200"	1.690"	1.000"	2	<b>\$299.00</b>
CSC 0503 1R-45-A	90°	0.826"	0.807"	2.200"	1.850"	1.000"	2	<b>\$299.00</b>
CSC 0503 1R-60-A	120°	1.003"	0.570"	2.830"	2.200"	1.000"	2	<b>\$349.00</b>



INSERT	DIMENSIONS					GRADE & PRICE		
	l	w	t	D	r	TX520	SCW200	SCW300
XCET 0310404-ER	0.866"	0.500"	0.177"	0.220"	0.016"	<b>\$49.00</b>	<b>\$59.00</b>	<b>\$65.00</b>



**TX520** - TiN cermet for finishing applications  
**SCW200** - Coated carbide grade for heavier duty applications  
**SCW300** - TiAlN coated carbide for higher speed applications

DISTRIBUTED BY




CALIBER INDUSTRIAL SUPPLY  
 5500 Tomken Road, Unit 2  
 Mississauga, Ontario L4W 2Z4  
 www.caliberindustrial.com

Mississauga ---- 905.624.5524  
 Toronto ----- 416.626.7151  
 Toll Free ----- 1.800.465.5743  
 sales@caliberindustrial.com

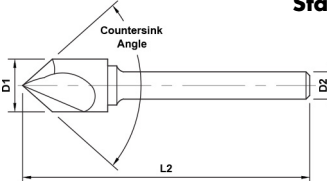


OD	SHK	OAL	SINGLE FLUTE COUNTERSINKS			PRICE
			60°	82°	90°	
D1	D2	L2				
1/8	1/8	1-1/2	680-002	680-102	680-202	\$12.20
3/16	3/16	2	680-004	680-104	680-204	\$12.69
1/4	1/4	2	680-006	680-106	680-206	\$17.64
3/8	1/4	2-5/8	680-008	680-108	680-208	\$23.42
1/2	1/4	2-7/8	680-010	680-110	680-210	\$30.62
5/8	3/8	3	680-012	680-112	680-212	\$47.15
3/4	1/2	3	680-014	680-114	680-214	\$64.07
1	1/2	2-3/4	680-016	680-116	680-216	\$123.18

- Genuine A -Gr-SiV submicron grain carbide
- Proven, versatile performance




**\*\*Uncoated\*\***  
Standard, Series 680



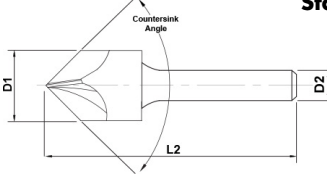
Coated Available Upon Request

OD	SHK	OAL	THREE FLUTE COUNTERSINKS				PRICE
			60°	82°	90°	100°	
D1	D2	L2					
1/8	1/8	1-1/2	680-302	680-402	680-502	-	\$12.20
3/16	3/16	2	680-304	680-404	680-504	-	\$12.69
1/4	1/4	2	680-306	680-406	680-506	682-106	\$17.64
3/8	1/4	2-5/8	680-308	680-408	680-508	682-108	\$23.42
1/2	1/4	2-7/8	680-310	680-410	680-510	682-110	\$30.62
5/8	3/8	3	680-312	680-412	680-512	682-112	\$47.15
3/4	1/2	3	680-314	680-414	680-514	682-114	\$64.07
1	1/2	2-3/4	680-316	680-416	680-516	682-116	\$123.18

- Genuine A -Gr-SiV submicron grain carbide
- Proven, versatile performance




**\*\*Uncoated\*\***  
Standard, Series 680



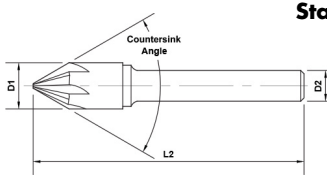
Coated Available Upon Request

OD	SHK	OAL	SIX FLUTE COUNTERSINKS				PRICE
			60°	82°	90°	100°	
D1	D2	L2					
1/8	1/8	1-1/2	680-602	680-702	680-802	-	\$12.20
3/16	3/16	2	680-604	680-704	680-804	-	\$12.69
1/4	1/4	2	680-606	680-706	680-806	680-906	\$17.64
3/8	1/4	2-5/8	680-608	680-708	680-808	680-908	\$23.42
1/2	1/4	2-7/8	680-610	680-710	680-810	680-910	\$30.62
5/8	3/8	3	680-612	680-712	680-812	680-912	\$47.15
3/4	1/2	3	680-614	680-714	680-814	680-914	\$64.07
1	1/2	2-3/4	680-616	680-716	680-816	680-916	\$123.18

- Genuine A -Gr-SiV submicron grain carbide
- Proven, versatile performance

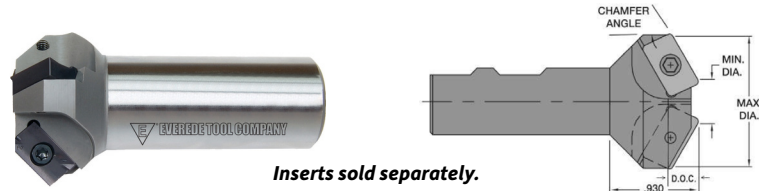


**\*\*Uncoated\*\***  
Standard, Series 680



Coated Available Upon Request

**CHAMFERMILLS WITH WELDON SHANKS (Series CHM)**



PART NUMBER	DESCRIPTION	MIN DIA	MAX DIA	WELDON SHANK	CHAMFER ANGLE	NUMBER OF FLUTES	DEPTH OF CUT	OVERALL LENGTH	INSERT	PRICE
209-01270	CHM-750-30	0.750	1.303	3/4	30°	2	0.479	3.000	APLT-347	\$171.77
209-01268	CHM-688-41	0.688	1.414	3/4	41°		0.418			\$171.77
209-01269	CHM-688-45	0.688	1.471	3/4	45°		0.391			\$171.77
209-01267	CHM-500-60	0.500	1.458	3/4	60°		0.277			\$171.77

**To Place an Order Email: sales@caliberindustrial.com or Phone: 905-624-5524**

**\*\* Special offer expires MARCH 31, 2024 \*\***