



**ALLIED MACHINE  
& ENGINEERING**

Special Available **Through June 30, 2024**

# reaming **SOLUTIONS**

[www.alliedmachine.com](http://www.alliedmachine.com)



Hold **tight tolerances**  
with expanding  
solutions



Achieve **excellent**  
surface finish



**Increased**  
penetration rates



**Lower cost**  
per hole



Distributed By



Mississauga ---- 905.624.5524  
Toronto ----- 416.626.7151  
Toll Free ----- 1.800.465.5743  
[www.caliberindustrial.com](http://www.caliberindustrial.com)  
[sales@caliberindustrial.com](mailto:sales@caliberindustrial.com)



S.C.A.M.I.®

ALVAN®

# REAMERS

Promotional pricing valid 2/1/24 - 6/30/24



## REPLACEABLE HEAD STYLE

### 9000 SERIES

Buy 3 heads, get a **FREE** mandrel and screw

Ø 0.4646" - 1.5984" (11.80 mm - 40.60 mm)

- ▶ Features sintered carbide or cermet fixed diameter heads for H7 tolerance holes.
- ▶ Easy setup allows for minimal downtime for replacement.
- ▶ Improved TIR repeatability from head to head change.



### 7000 SERIES

Buy 2 heads, get a **FREE** mandrel and screw

Ø 0.4646" - 2.3858" (11.80 mm - 60.60 mm)

- ▶ Features an expandable version for improved dimensional accuracy and wear accommodation for high-production environments.
- ▶ Reconditions are available upon request.

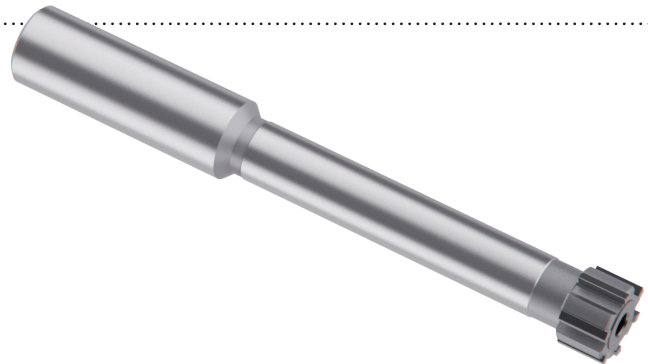


## MONOBLOC STYLE

Buy 1 monobloc reamer, get 1 **FREE**

Ø 0.2283" - 1.2638" (5.80 mm - 32.10 mm)

- ▶ One-piece design ideal for hole diameters under 0.3780" (9.60 mm) and smaller production applications.
- ▶ Features diameter expansion to accommodate for wear and hold tight tolerances.
- ▶ Reconditions are available upon request.



Allied Machine offers expert engineering support. Whether you need a quote, a test, or an application solution, a highly skilled and trained engineer is standing by, ready to help.  
[www.alliedmachine.com/contactus](http://www.alliedmachine.com/contactus)

Copyright © 2024 Allied Machine and Engineering Corp. – All rights reserved.  
All trademarks designated with the ® symbol are registered in the United States and other countries.



**ALLIED MACHINE  
& ENGINEERING**

**WOHLHAUPTER®**

Holemaking Solutions for Today's Manufacturing